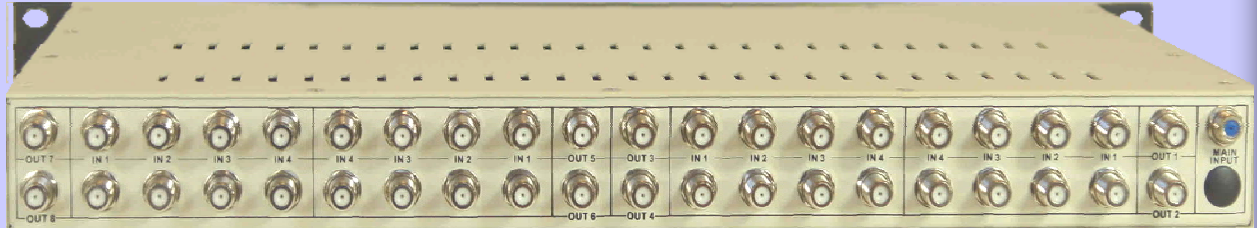


Front Panel View



Rear Panel View



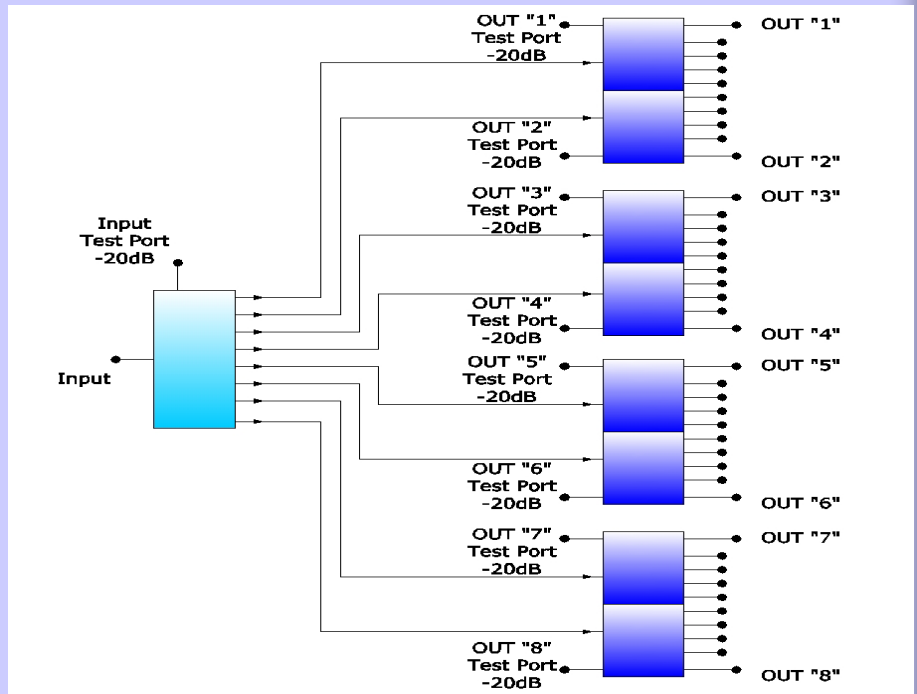
Features & Benefits

- Single Broadcast Input split to 8 Discrete Combining Modules to Accommodate Narrowcast Additions
- Add 4 Separate Narrowcast Inputs , such as VOD, VoIP or HSD to each Output
- Compact & modular construction, occupies only 1RU
- Low Insertion Loss from Inputs to Outputs
- Simplifies engineering and architecture design challenges and allows for duplication between sites.
- With multiple configuration options for signal balancing, the units are compatible with a wide range of optical transmitters.
- Best for using with ASF-101 and ASF-201 devices
- Custom designs welcomed.

THREE YEAR PARTS AND LABOR WARRANTY INCLUDED

The new PNF-108 Narrowcast Extender routes a single broadcast feed into 8 independently wired modules for insertion of up to 4 narrowcast services per module. Narrowcast services can be individually selected for each of the 8 combining modules. Each module provides one single combined output, with 8 outputs per 1RU unit. Outputs can be directly connected to optical transmitters The N8 eliminates interruptions to existing services when adding or changing narrowcast services.

The integrated 1RU design simplifies installation, maximizes rack space and minimizes setup time. The passive design allows unit stacking to maximize density. The unit includes front mounted test ports (8) for each combined output and 1 test port for broadcast input. The unit provides high isolation between module input ports and between modules as well as excellent return and insertion loss performance.



PNF-108 Block Diagram

Technical Specification:

<i>Parameters</i>	<i>Units</i>	<i>Spec</i>
Bandwidth	MHz	48 - 1002
Number of Inputs		1
Number of Outputs		8
Number of Narrowcast Inputs to each Output		8
Insertion Loss Input - Output	dB	17.0±0.5
Insertion Loss Narrowcast Input - Outputs	dB	16.5±0.5
Test Ports Insertion Loss	dB	20.0±0.5
Insertion Loss Flatness	dB	±0.5
Return Loss all Ports, min	dB	20.0
Isolation between Narrowcast Inputs in same Output, min	dB	30.0
Isolation between Narrowcast Inputs for different Outputs (Frequency reuse capability), min	dB	65.0
Isolation between Narrowcast Inputs and main Input, min	dB	55.0
RFI	dB	100
Operation Temperature	°C °F	0°-50° 32°-122°
Dimensions	inch	3.5Wx19Wx14D
Weight	lb	10