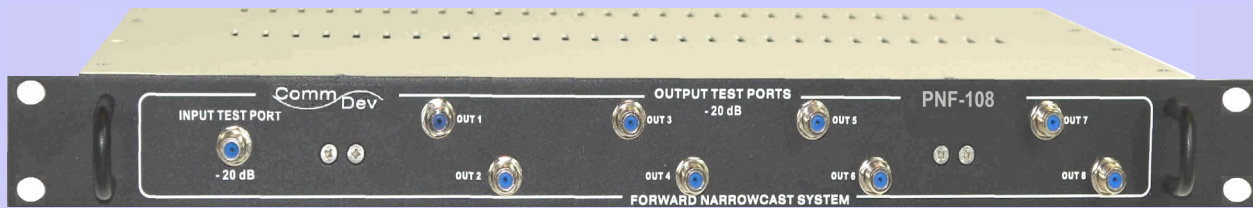
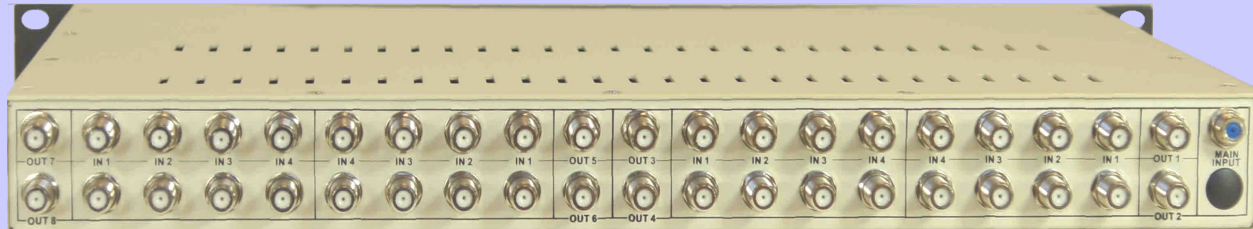


**DOCSIS 3.x Compliant**

Front Panel View



Rear Panel View



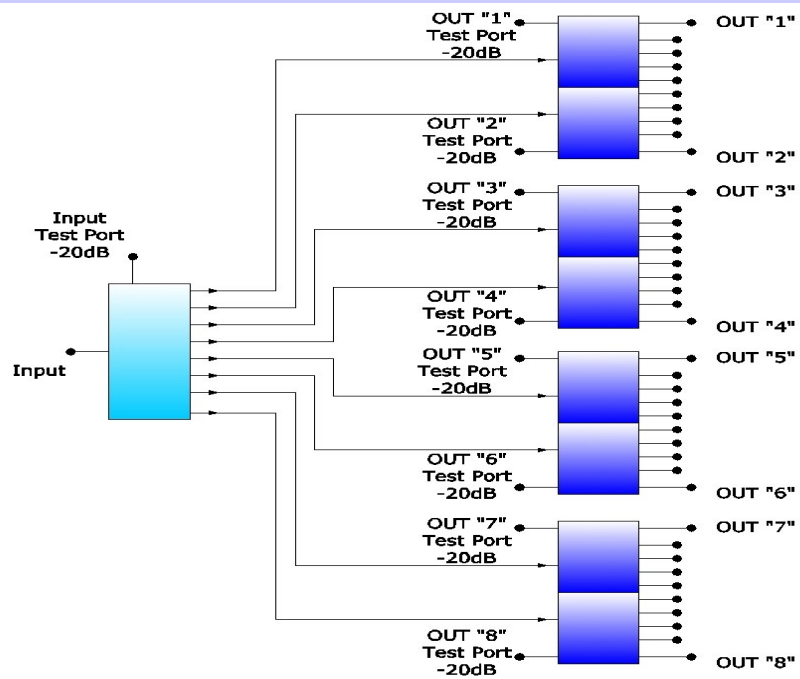
**Features & Benefits**

- Single Broadcast Input split to 8 Discrete Combining Modules to Accommodate Narrowcast Additions
- Add 4 Separate Narrowcast Inputs, such as VOD, VoIP or HSD to each Output
- Compact & modular construction, occupies only 1RU
- Low Insertion Loss from Inputs to Outputs
- Simplifies engineering and architecture design challenges and allows for duplication between sites.
- With multiple configuration options for signal balancing, the units are compatible with a wide range of optical transmitters.
- Best for using with ASF-10x and ASF-20x series of devices
- Custom designs welcomed.

**THREE YEAR PARTS AND LABOR WARRANTY INCLUDED**

The new **PNF-108** Narrowcast Extender routes a single broadcast feed into 8 independently wired modules for insertion of up to 4 narrowcast services per module. Narrowcast services can be individually selected for each of the 8 combining modules. Each module provides one single combined output, with 8 outputs per 1RU unit. Outputs can be directly connected to optical transmitters. The **PNF-108** eliminates interruptions to existing services when adding or changing narrowcast services.

The integrated 1RU design simplifies installation, maximizes rack space and minimizes setup time. The passive design allows unit stacking to maximize density. The unit includes front mounted test ports (8) for each combined output and 1 test port for broadcast input. The unit provides high isolation between module input ports and between modules as well as excellent return and insertion loss performance.



PNF-108 Block Diagram

## DOCSIS 3.x Compliant

CommDev offer two options of PNF-108 device. The option PNF-108 has Standard working Frequency Bandwidth 40-1002 MHz. Option PNF-108.1 has Extended frequency Bandwidth up to 1218 MHz.

Technical Specifications:	PNF-108	PNF-108.1	
<i>Parameter</i>	<i>Specifications</i>		<i>Units</i>
Bandwidth	40 - 1002	40-1218	MHz
Number of Broadcast Inputs	1		
Number of Output Groups	8		
Number of Narrowcast Inputs in Output Group	4		
Insertion Loss:			
Broadcast Input - Output	16.0±0.5	16.5±0.5	dB
Narrowcast Input - Output	16.0±0.5	16.5±0.5	dB
Insertion Loss Flatness	±0.5		dB
Test Port Insertion Loss	20.0±0.5		dB
Return Loss, all Ports, min	20		dB
Isolation Between Narrowcast Inputs in same Output Group	30		dB
Isolation Between Narrowcast Inputs in different Output Groups	65		dB
Isolation between Narrowcast Inputs and Broadcast Input	55		dB
RFI, min	100		dB
Operation Temperature	0 -50		°C
	32 -122		°F
Dimensions	1.75Hx19Wx12D		inch
Weight	9.8		lb