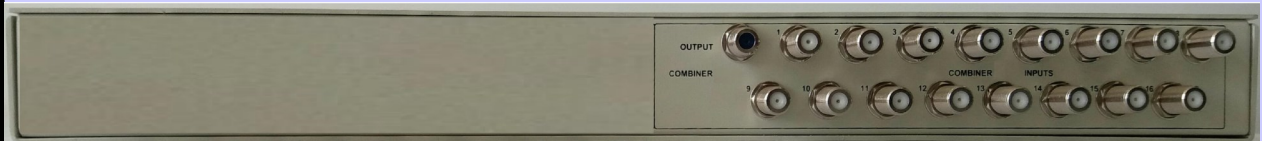


Front Panel View



Rear Panel View



Features & Benefits

As an passive forward path distribution device, the unit provides 16-way Splitter with 1 Input for each with an ultra-flat signal response for in the frequency range 5-1218MHz.

- Compact & modular active components construction, occupies only 1RU space
- Simplifies engineering and architecture design challenges and allows for duplication between sites.
- Significantly reduces the use of external jumper cables, rack space, and manpower hours of labor.
- Custom designs welcomed.

THREE YEAR PARTS AND LABOR WARRANTY INCLUDED

The PSF-116 is single 16-way Broadband Passive Splitter are designed for typical usage within headend and hub site environments. Devices are built within a standard 19" EIA rack, are compact, and using only 1 rack units of space. The unit provides an ultra-flat RF output signal in wide frequency range for distribution RF transport. It is an extremely reliable and cost effective platform and has a very flexible feature set required for today's modern cable TV plant.

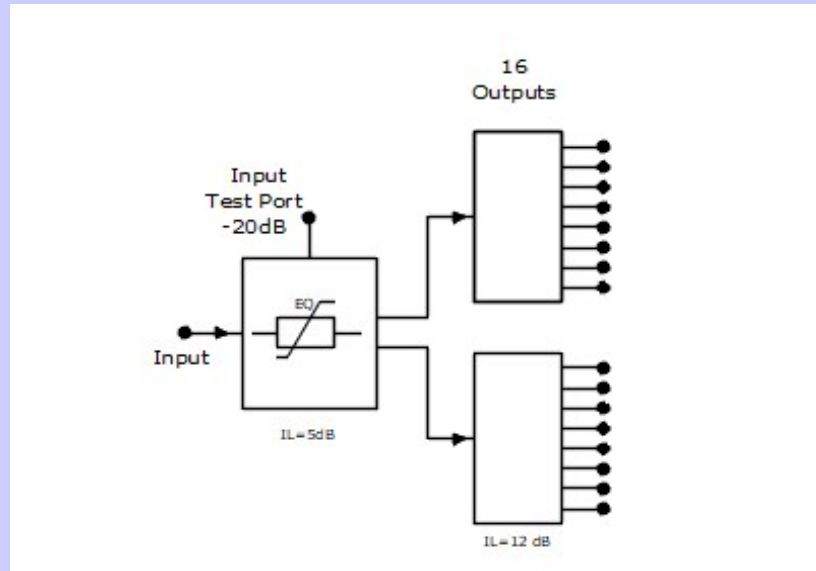
Wide working frequencies band gives ability to use device in both Return and Forward Frequency Bands minimizes necessarily of different units at Headends.

As a completely passive combining device, the solution allows for architecture design consistency amongst multiple hub sites while saving precious rack space. As an integrated system solution, the units significantly reduce external cabling. Like a fully passive device there are no distortions added to combined signals.

The units are designed for splitting of input signal and deliver them to 16 outputs. Built-in Equalizer provide flat output signal cross working frequency band.

It is common to configure the units to interface with the appropriate input level required by the optical transmitter at that particular site. The system is uniquely configured to allow the introduction of advanced revenue generating services, without disrupting the network or its current content delivery.

Please contact us for additional technical support or product information.



PCB-116 Block Diagram

Technical Specifications:

<i>Parameters</i>	<i>Units</i>	PSF-116 <i>Spec</i>
Bandwidth	MHz	5 - 1218
Input/Output Impedance	Ohm	75
Number of Inputs		1
Number of Outputs		16
Insertion Loss Input -Output	dB	17.0±0.5
Insertion Loss Flatness	dB	±0.5
Test Ports	dB	-20.0±0.5
Return Loss all Ports, min:		
5 -10 MHz	dB	17
10-1002 MHz	dB	20
1002 -1218 MHz	dB	20
Isolation between Inputs, min	dB	30
RFI, min	dB	100
Dimensions, WxHxD	inch	19x1.75x14
Weight	lb	3